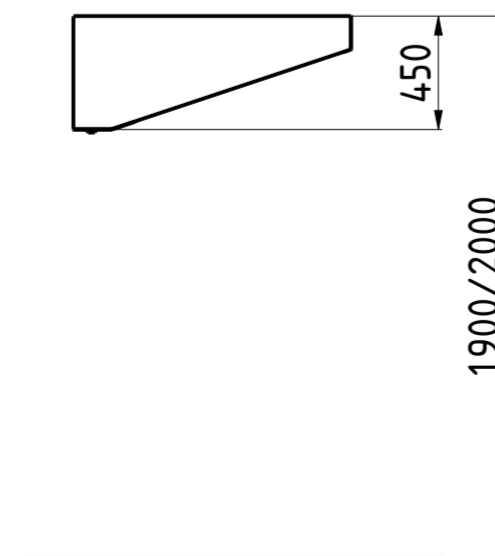
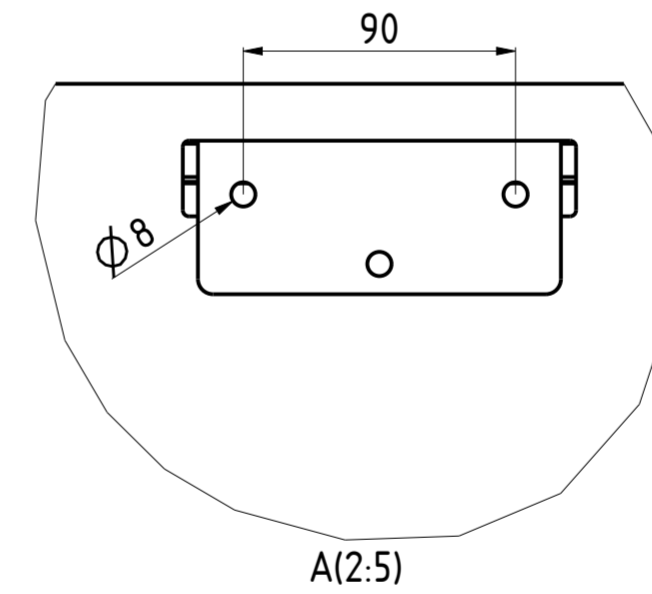
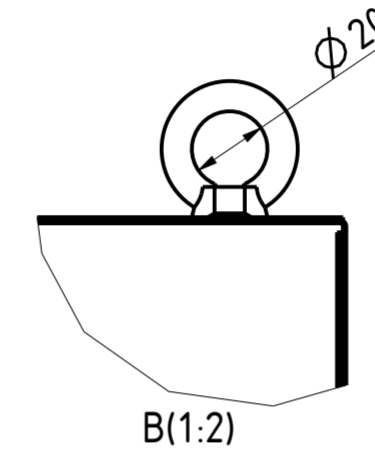
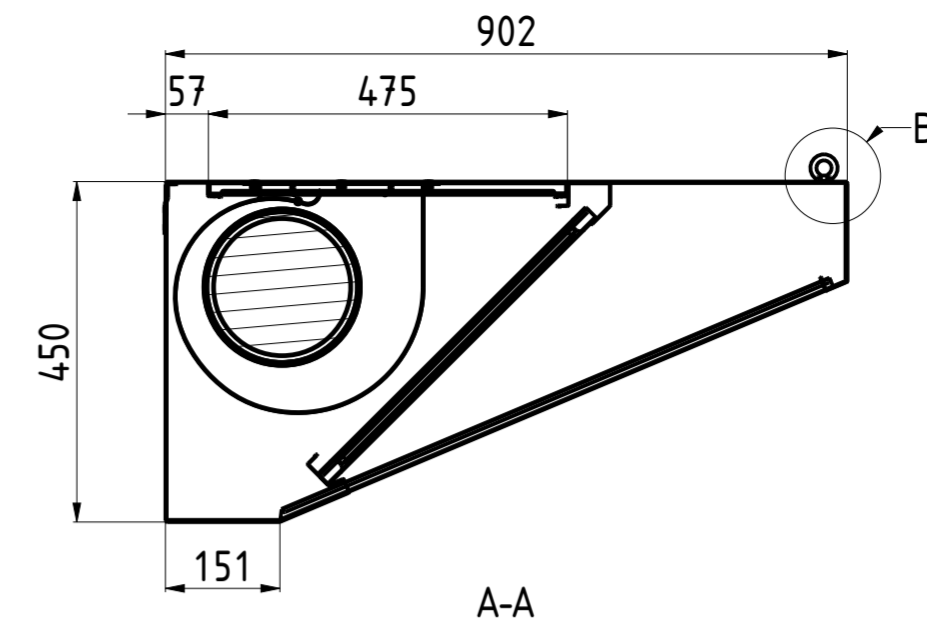
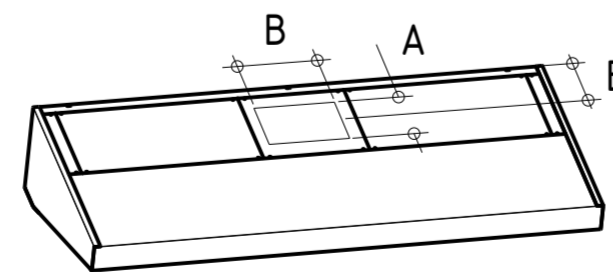
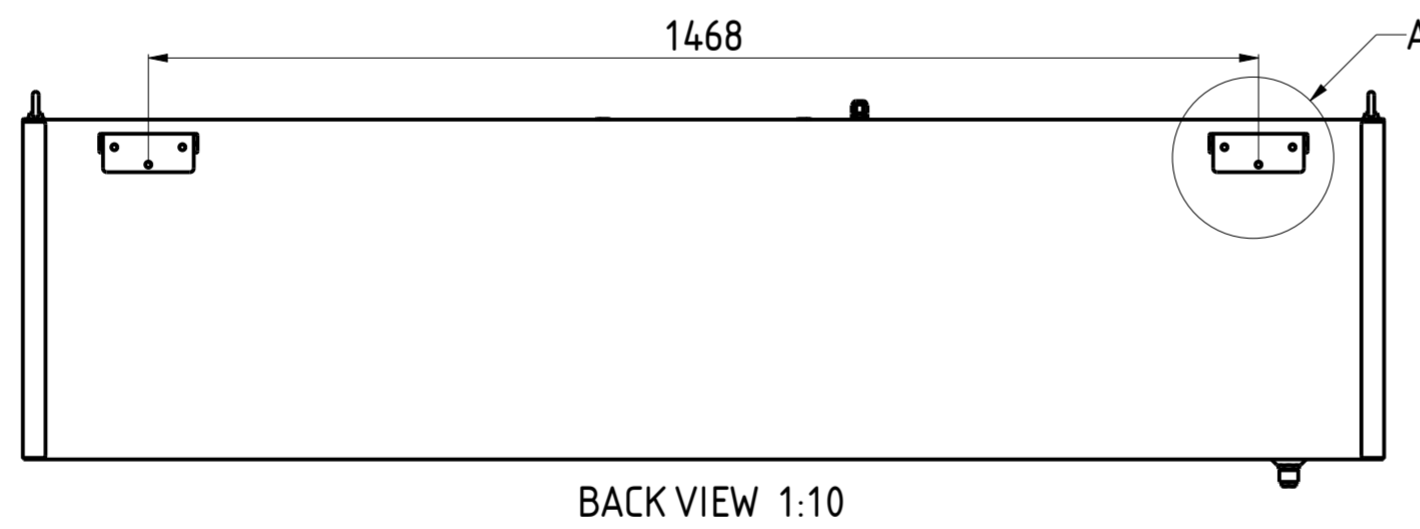
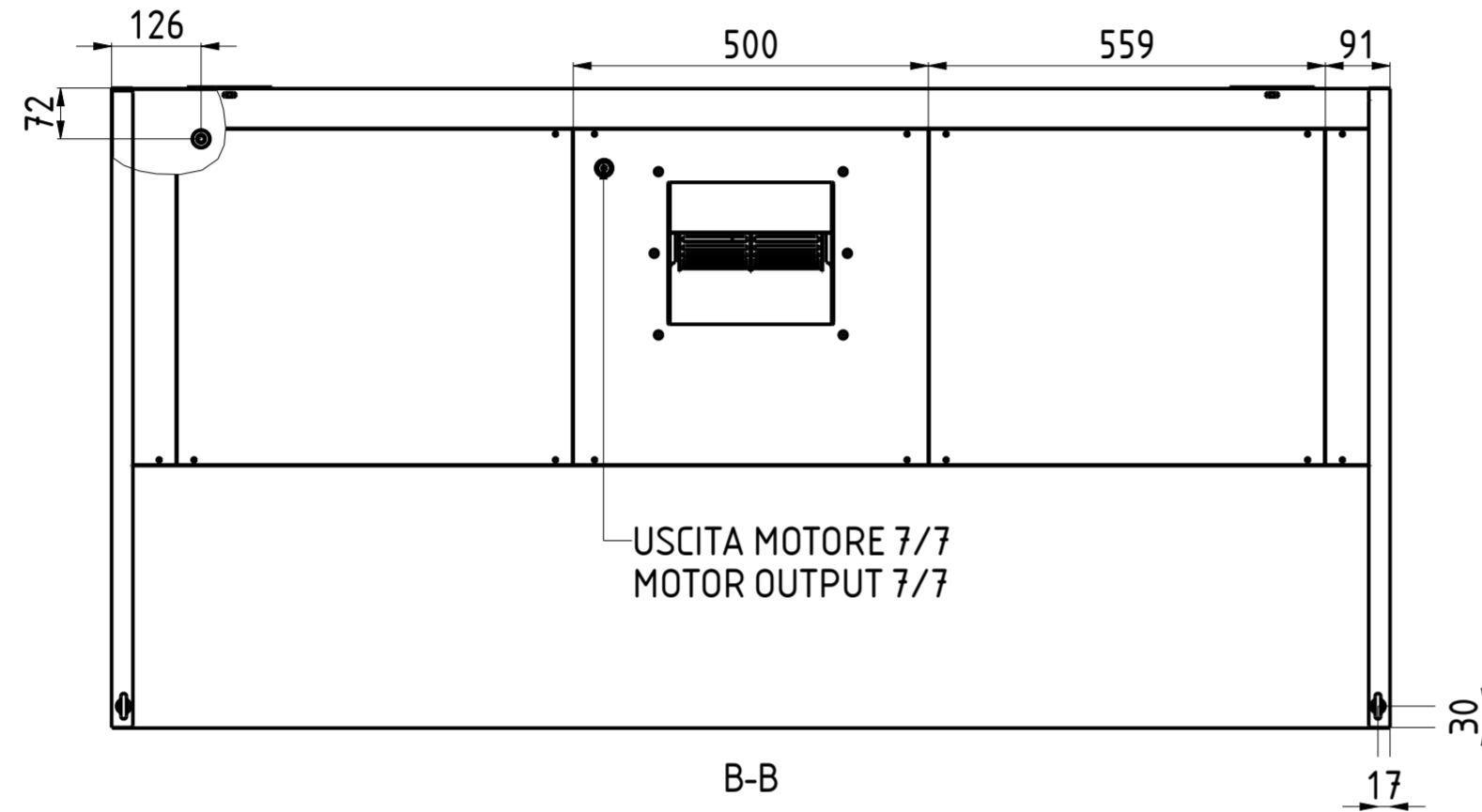
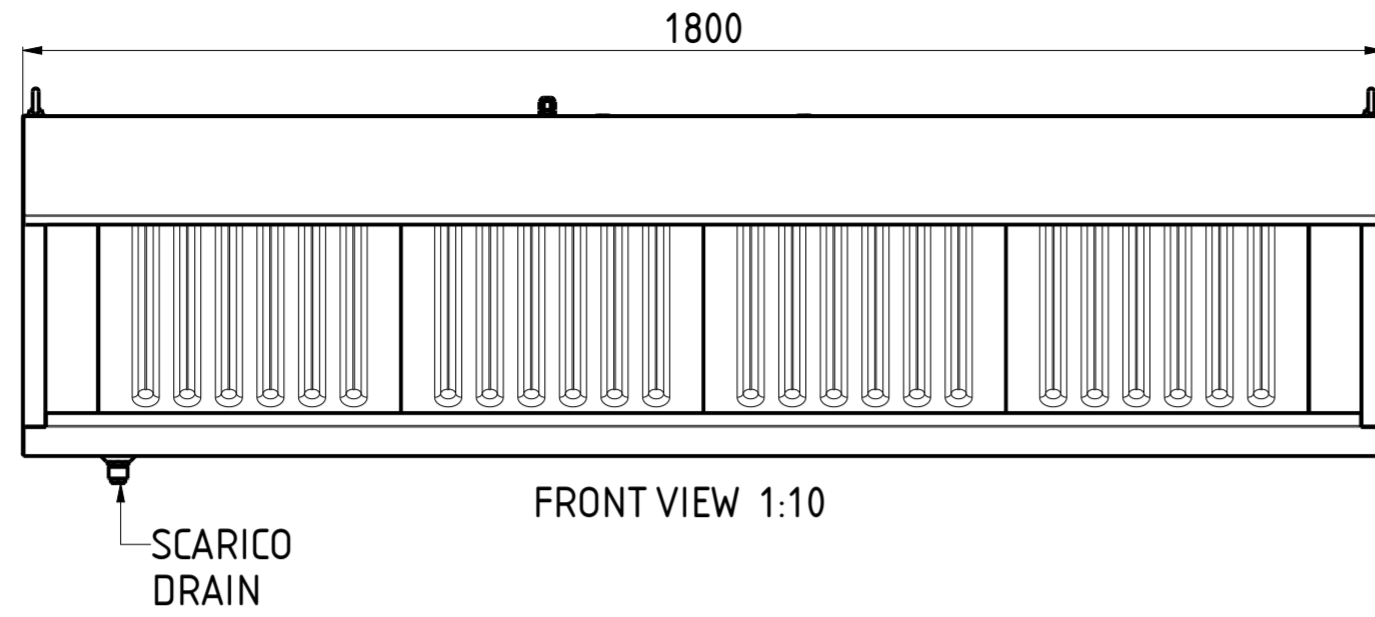


CHSN09L180F



FORO AxB HOLE AxB	E	NR. LUCI NR. LIGHTS	PORTATA FLOW RATE	HST mmH:0	WATT	SDR	PESO (Kg) WEIGHT (Kg)
210x230	230	4	2040	4	147	7/7	75

DATA DATE	MODIF.N. MODIF.NO.	DESCRIZIONE MODIFICHE MODIFICATION DESCRIPTION	DISEGNATO DRAWN BY	APPROVATO APPROVED
MODELLO MODEL		CAPPA SNACK CON MOTORE 9/18 SNACK HOOD WITH MOTOR 9/18	SCALA SCALE	-
PARTICOLARE DETAIL		SCHEDA TECNICA DATA SHEET	DATA DATE	-
MATERIALE MATERIAL	AISI 304 - AISI 430	SPES. THICK.	SHEET 1 OF 2	
FINITURA FINISH		PEZZI N. PIECES NO.	ULTIMA EMISS. LAST EDITION	
TRATTAMENTO TREATMENT		COLORE COLOUR		

mm

FORM.A-2

ELABORATO CON SISTEMA CAD  
DESIGNED BY CAD/STEM  
 QUOTA PRIMARIA  
PRIMARY DIMENSION  
 XX  
 ANGOLI  
Angles  
 >500  
±0.75  
 400-500  
±0.65  
 315-400  
±0.60  
 250-315  
±0.55  
 180-250  
±0.50  
 120-180  
±0.45  
 80-120  
±0.40  
 50-80  
±0.35  
 18-30  
±0.25  
 10-18  
±0.20  
 5-10  
±0.15  
 0-5  
±0.10  
 LUNGHEZZE E DIAMETRI  
LENGTH AND DIAM.  
 TOLLERANZA UNLESS OTHERWISE STATED  
 QUOTE SENZA TOLLERANZA